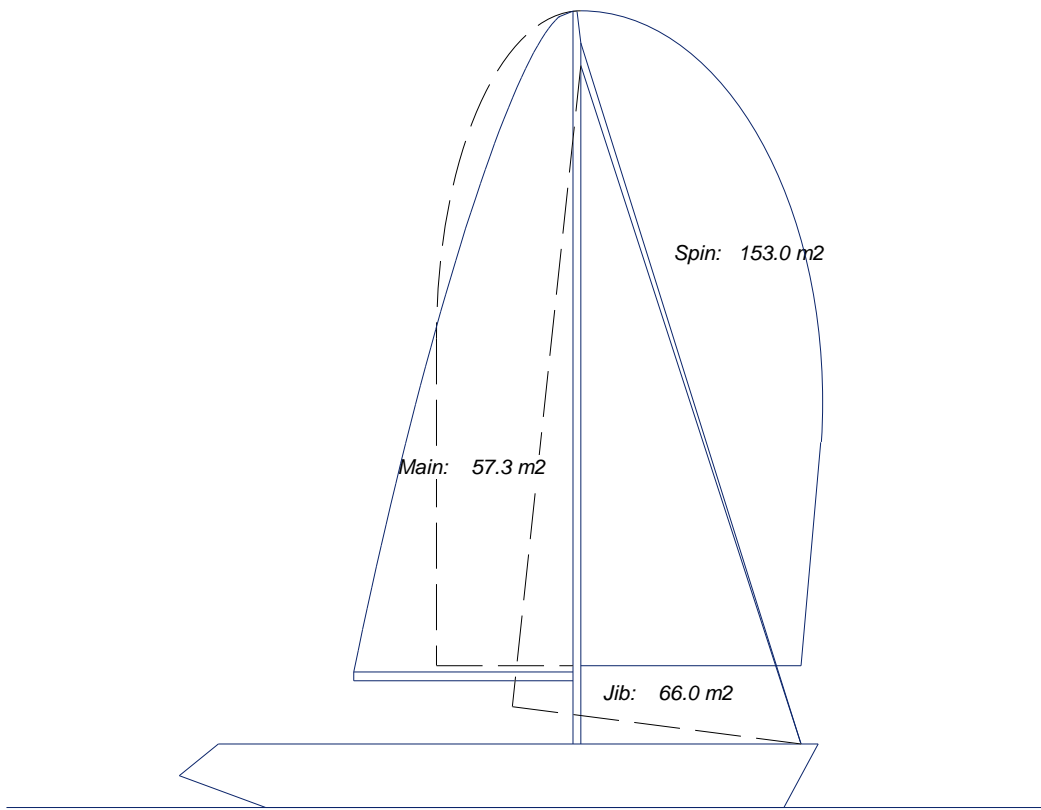


Rig and Sail Plan Cartoon



Simplified (Cruising) Input Data for Condition ODM
[OC50GTE 01/31/06 17:32:34]

Basics			
Dspl	12660.0	RA25	0.495
Lwl	13.239	WSc	36.652
B/T	0.000	WSa	9.467
Tmax	2.089	+Cf%	0.000
HBI,f	1.620	PIPA	0.006

Rig and Sail Plan Dimensions

	<u>Main</u>		<u>Fore</u>		<u>Spin</u>
P	16.870	IG	17.900	SPL	5.620
E	5.600	J	5.620	SMW	6.500
BAD	1.840	LP	7.456	SLU	17.000
		HBI	1.620	SLE	17.000
				ISP	18.720

Sail Inventory

<u>Name</u>	<u>Area</u>	<u>Span</u>	<u>BaseHt</u>	<u>AFx</u>	<u>Aero</u>	<u>Base</u>
Spin	153.000	16.700	2.000	0.750	Spin_0	SPIN
Jib	66.000	16.625	0.700	1.000	Jib_0	HEAD
Main	57.300	16.870	1.840	1.000	Main_0	MAIN

Windage Elements

<u>Name</u>	<u>Ax</u>	<u>Ay</u>	<u>Cdx</u>	<u>Cdy</u>	<u>Ht</u>	<u>Type</u>
MastSail	3.553	5.295	0.400	1.000	8.236	mast w/sail
Hull	7.500	25.400	0.400	0.900	-0.648	hull
MainRigging	2.132	2.132	1.000	1.000	8.236	other
MastBare	3.553	5.295	0.800	1.100	8.236	mast bare

Sail Sets and Member Sails

<u>Downwind</u>	<u>Upwind</u>
<u>[Dn]</u>	<u>[Up]</u>
Spin	Jib
Main	Main

Opsets

<u>Name</u>	<u>Flotation</u>	<u>SailSet</u>	<u>VtLo</u>	<u>VtHi</u>	<u>BtLo</u>	<u>BtHi</u>	<u>VaLim</u>	<u>UpOpt</u>	<u>DnOpt</u>
Downwind	ODM	Downwind	4.0	30.0	70.0	180.0	70.0		*
Upwind	ODM	Upwind	4.0	30.0	30.0	120.0	70.0	*	

Notes

Plan de voileure: +8m²/standard

Best Boatspeeds (kt)

	4	8	12	16	20	25	30
40.0	2.96	5.43	6.72	7.36	7.62	7.76	7.77
45.0	3.30	5.95	7.32	7.82	8.04	8.19	8.23
52.0	3.70	6.55	7.84	8.23	8.44	8.61	8.69
60.0	4.03	7.09	8.21	8.57	8.80	9.00	9.13
75.0	4.35	7.55	8.63	9.06	9.35	9.62	9.83
90.0	4.68	7.77	8.69	9.38	9.79	10.13	10.38
120.0	4.28	7.57	8.87	9.68	10.24	10.82	11.30
130.0	3.75	6.99	8.64	9.67	10.52	11.27	11.83
135.0	3.49	6.58	8.44	9.52	10.49	11.46	12.12
150.0	2.74	5.35	7.57	8.79	9.86	11.16	12.41
165.0	2.31	4.58	6.68	8.23	9.28	10.60	11.93
180.0	2.20	4.36	6.39	8.04	9.10	10.38	11.66
Up.Vs	3.37	5.85	7.11	7.42	7.59	7.72	7.80
Up.Bt	46.1	44.0	43.0	40.5	39.7	39.6	40.2
Up.Vmg	2.34	4.21	5.20	5.64	5.84	5.95	5.95
Dn.Vs	3.32	6.04	7.45	8.04	9.10	10.38	11.66
Dn.Bt	138.3	141.5	151.9	180.0	180.0	180.0	180.0
Dn.Vmg	2.48	4.72	6.57	8.04	9.10	10.38	11.66